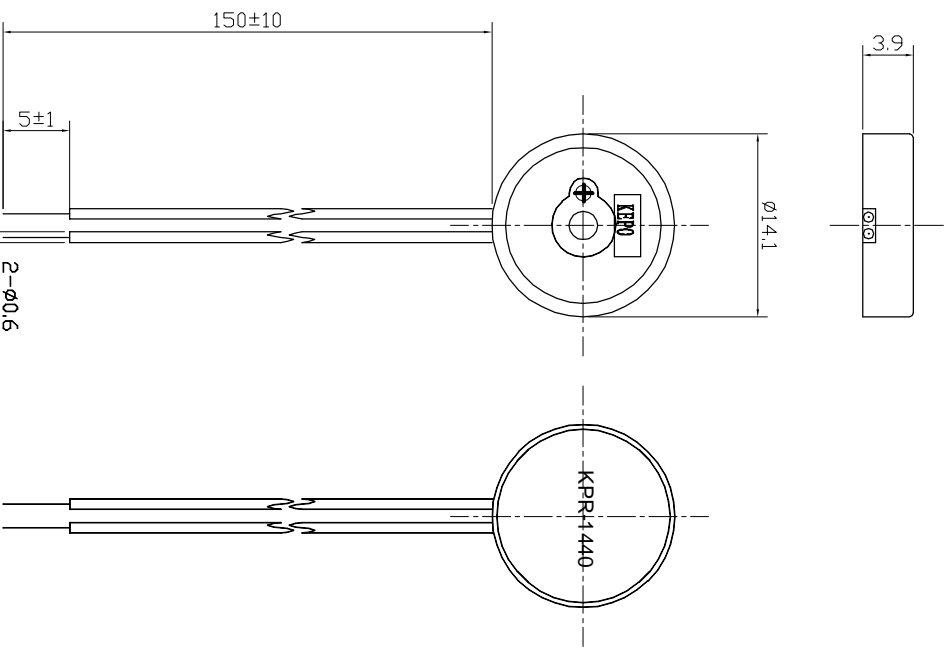


SPECIFICATION

- 1. Rated Voltage 12Vp-p Square Wave
- 2. Max. Allowable Voltage 25Vp-p Square Wave
- 3. Max. Rated Current 2mA at 4.0KHz/12Vp-p Square Wave
- 4. Resonant Frequency 4.0±0.5KHz
- 5. Min. Sound Pressure Level 75dB at 4.0KHz/12Vp-p Square Wave/10cm
- 6. Capacitance at 120Hz 15000pF±30%
- 7. Case Material ABS
- 8. Operating Temperature -20 ~ +60 °C
- 9. Store Temperature -30 ~ +70 °C
- 10. Weight 1.3g



No.	DESCRIPTION	APPROVED	DATE	KEPO NINGBO KEPO ELECTRONIC CO.,LTD http://www.chinaacoustic.com Piezo Transducer QUARTZ-1 KPR-1440-1062
1. 0.1mm GRADUATION 2. 0.2mm GRADUATION 3. 0.5mm GRADUATION 4. 1mm GRADUATION 5. 2mm GRADUATION 6. 5mm GRADUATION 7. 10mm GRADUATION 8. 20mm GRADUATION 9. 50mm GRADUATION 10. 100mm GRADUATION		APPROVALS	DATE	
DRAWN CHECKED APPROVED				
UNIT SCALE		DIVISION SHEET		VER 1.2